

427B

Membrane non-return valve

M system

Technical Data Sheet



Description

This valve is designed for installations that generate significant water hammer. It is very reliable and quiet (no mechanical moving parts, anti-incrustation closing system and seat). Ideal for booster pumps, sprinkler systems, motor or electric pump units and compressed air circuits. On membrane check valves, the opening set by the elasticity and the thickness of the membrane is very progressive and can be obtained as a result of a few centimeters of W/C. Because of this, this check valve is particularly suitable for variable flow pumps and pulsatory operation

- Operates in any position
- Does not generate hammering
- 2 threaded bosses 1/2" with brass plug
- Closing system : flexible membrane (thick elastomer disc) held in its center on a metal seat composed of a grid (flow equivalent to the nominal section)
- Sealing ensured by membrane's self-closing.



427B

Membrane non-return valve - M system

DN	PN	PFA in bar	PS in bar				Cat.	Ref.	Weight Kg
			L1	L2	G1	G2			
1 1/2	40	10/16	16	16	16	16	I	149B1191	7
2	50	10/16	16	16	16	16	I	149B1192	9
2 1/2	65	10/16	16	16	16	15	I	149B1193	12
3	80	10/16	16	16	16	12	I	149B1194	16
4	100	10/16	16	16	16	10	I	149B1195	19,6
5	125	10/16	16	16	16	0,5	I	149B1196	25,5
6	150	10/16	16	13	16	0,5	I	149B1197	39,6
8	200	10	10	10	10	0,5	I	149B1198	81,7

Important notice :

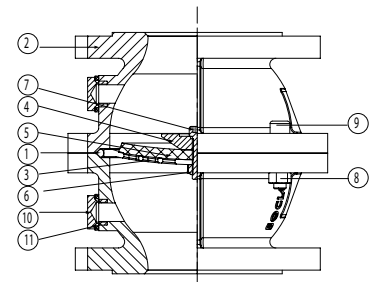
The indicated pressure for the different categories of fluids (L1/L2/G1/G2) is under no condition a guarantee of use. Therefore, it is essential to validate the use of products under given operating conditions. The operating instructions are available on our website www.socla.com or by requesting from our sales department.

Technical features

Operating temperature	-10 °C to 60 °C
Permissible operating pressure (PFA) in water	See table above
Maximum permissible pressure (PS) other mediums	See table above
Connection	Flanges drilled PN (see table)
Mediums	Water, clear liquids

Nomenclature and materials

N°	Description	Materials
1	O-ring	EPDM
2	Body	Cast iron /Epoxy GJL-250
3	Seat DN 40 to 200	Stainless steel
4	Nut DN 40 to 65 DN 80 to 200	Stainless steel 430 Brass CW617N-DW
5	Membrane	EPDM
6	Nut	Stainless steel 304
7	Screw	Stainless steel 304
8	Nut	Stainless steel 304
9	Screw	Stainless steel 304
10	Plug	Brass
11	Seal	EPDM



Approvals

ACS  PED 2014/68/UE

International construction Standards :
 Directive 2014/68/UE
 Flange drilling according to EN 1092-2

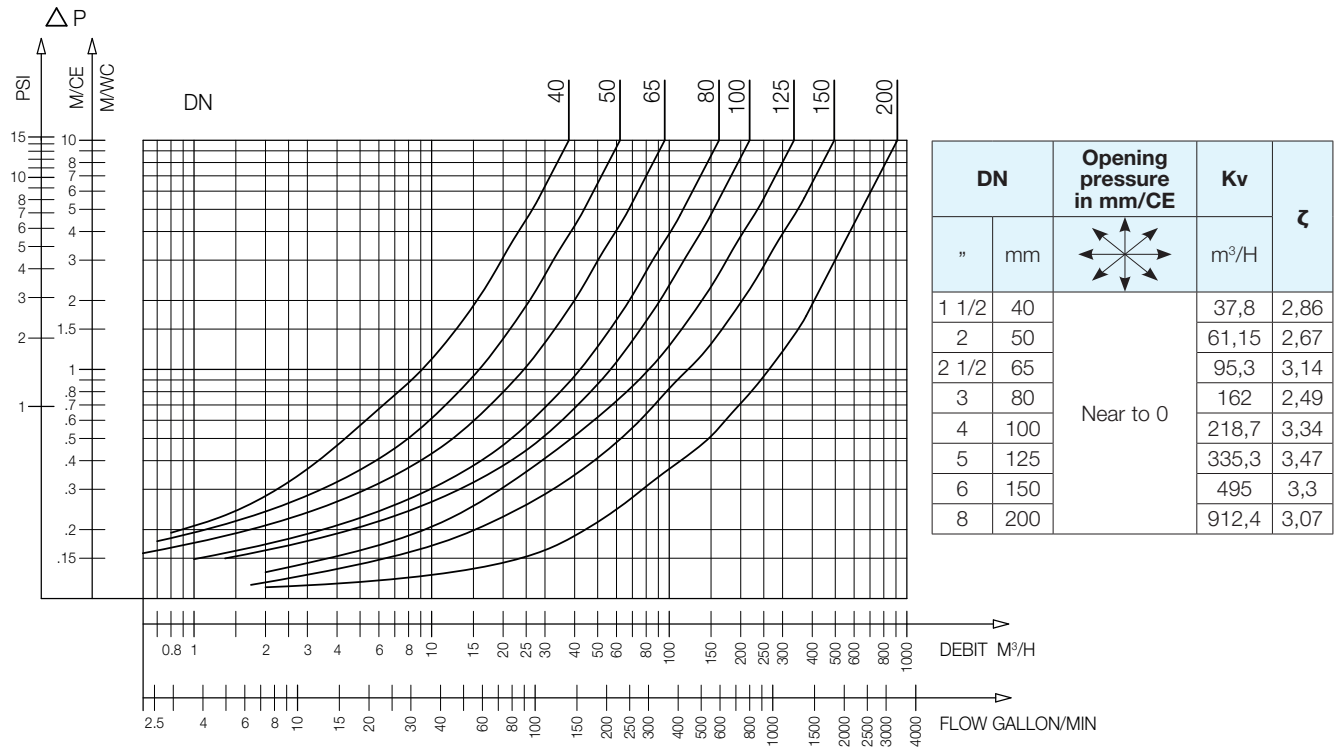
Application

water network. variable flow

Operation

Direction for use :

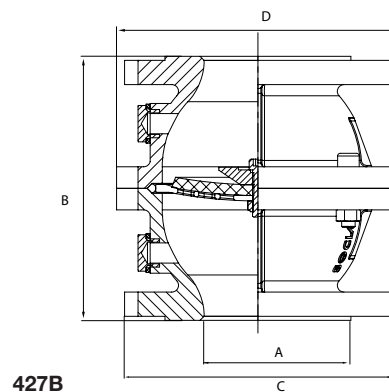
- Solid line: Valve completely open



427B - Headloss chart

Sizing

	A	B	C	D
"	mm	mm	mm	mm
1 1/2	40	148	150	140
2	50	158	164	159
2 1/2	65	176	183	169
3	80	196	200	212
4	100	213	220	234
5	125	228	250	250
6	150	266	285	324
8	200	439	340	426



The descriptions and photographs contained in this product specification sheet are supplied by way of information only and are not binding.

Socla reserves the right to carry out any technical and design improvements to its products without prior notice. Warranty : All sales and contracts for sale are expressly conditioned on the buyer's assent to Socla terms and conditions found on its website at www.socla.com. Socla hereby objects to any term, different from or additional to Socla terms, contained in any buyer communication in any form, unless agreed to in a writing signed by an officer of Socla.



A WATTS Brand

Socla sas

365 rue du Lieutenant Putier • 71530 Virey-Le-Grand • France

Tel. +33 03 85 97 42 00 • Fax +33 03 85 97 42 42

contact@wattswater.com • www.socla.com

ISO 9001 version 2015 / ISO 18001